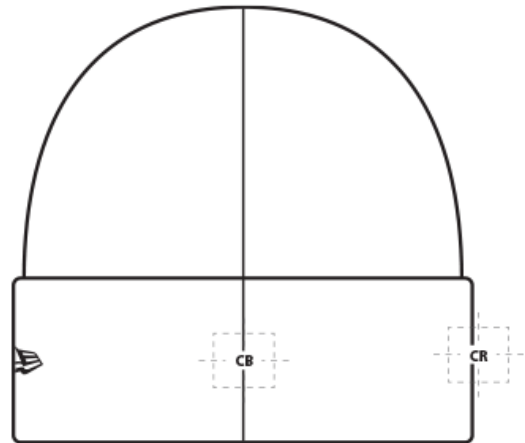
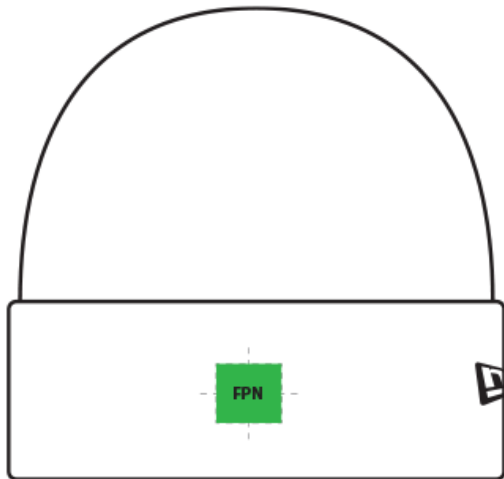


# DECORATION SPEC SHEET



NE908 New Era® Core Classic Cuff Beanie



## FRONT DECORATION DIMENSIONS

<b>FPN</b>	Front Panel	3"HX4"W	Primary
------------	-------------	---------	---------

## BACK DECORATION DIMENSIONS

<b>CB</b>	Cap Back	3"HX4"W	
-----------	----------	---------	--

## SIDE DECORATION DIMENSIONS

<b>CR</b>	Cap Right	3"HX3"W	
-----------	-----------	---------	--

Decoration range is dependent on product, decoration method and equipment used. Allow for 1/8" per size. Sizing is based off: Adult-L, Women's-M, Youth-L, Girls-M. Please consult with your decorator or supplier.

## DECORATION TECHNIQUES



**EMBROIDERY**

# DECORATION SPEC SHEET



## NE908 New Era® Core Classic Cuff Beanie

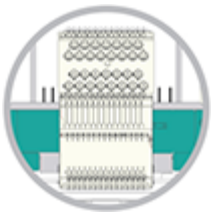
### ESSENTIAL PRODUCT INFORMATION

---

**Due to the nature of acrylic, any decoration process where heat is applied for curing is not recommended. Please consult with your decorator or material supplier.**

### TIPS FROM OUR EXPERTS BY DECORATION TECHNIQUE

---



#### **EMBROIDERY**

Embroidery is the art of embellishing a piece of apparel with a needle and thread or yarn creating stunning visual representations of various types of art. This is achieved by converting logos in a digitizing software and using various stitch patterns, angles, density and stitch types to create depth, movement and detail. Thread can be made from many materials. The most commonly used threads are polyester and rayon. There are also options such as metallic, cotton, nylon, silk and even Nomex thread for fire resistance. Embroidery has a very high-perceived value and is popular for use on most apparel, bags, hats, luggage, blankets and more!

**This product may require a Specialty Cap Frame. Please consult with your equipment or consumable supplier for recommended accessories.**

**For best results, performance backing is recommended.**

**For best results on high-pile plush styles use a Solvy top layer and a knockdown stitch to flatten the image area.**